



TQ3 & TQ3+

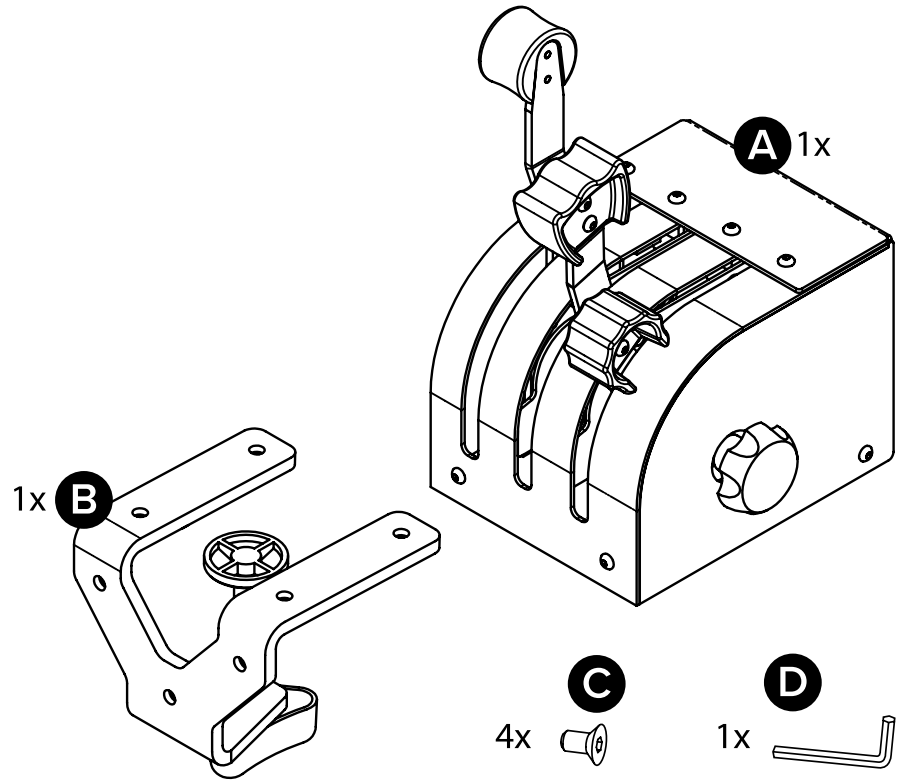
USER'S MANUAL

Rev 2.0 - September 2021

1. IN THE BOX

- A) TQ3 / TQ3+
- B) Clamp
- C) Allen Screws
- D) Allen Key

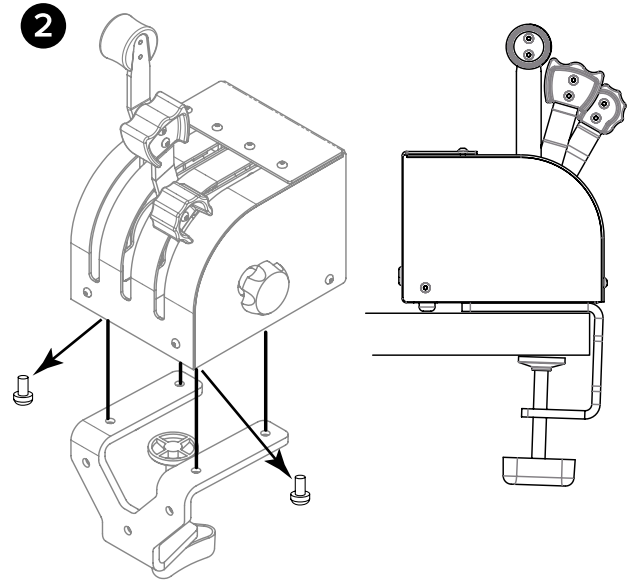
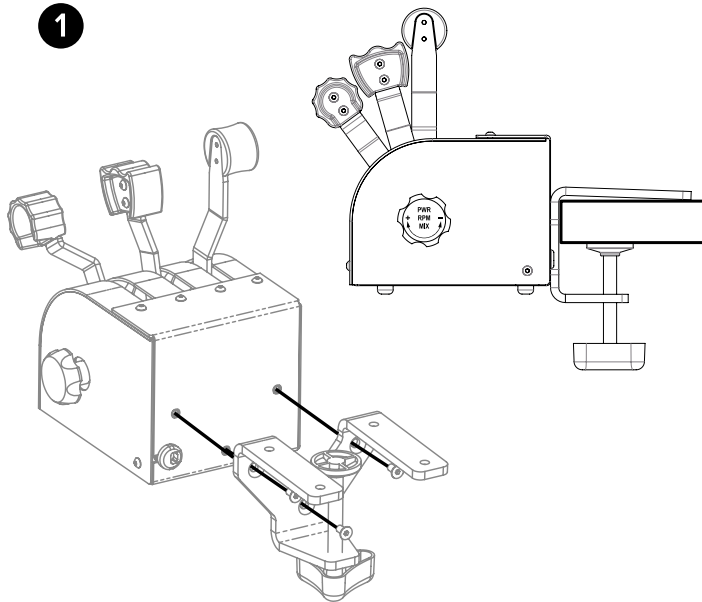
For support visit help.virtual-fly.com
or contact us at support@virtual-fly.com



2. HARDWARE SETUP

Two possible ways of setting up the included clamp are: **(1)** on the backside or **(2)** on the bottom side. If setting the clamp on the bottom side, make sure you unscrew the two front rubber feet before.

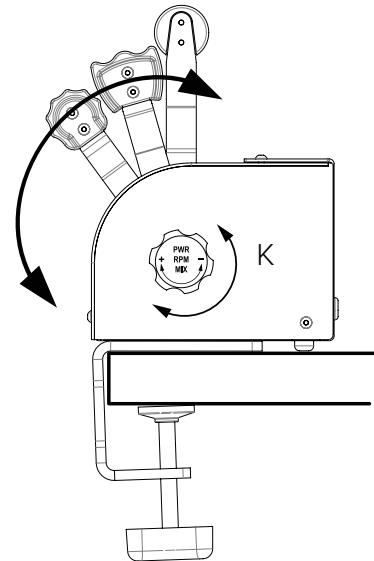
Finally, connect the USB cable to the computer where the flight simulation software is running.



2.1. Changing the levers' hardness

Your TQ3/TQ3+ offers the possibility to adapt the levers' hardness to your preference.

You can do so by turning the knob, K, as seen in the picture, on the right side of the TQ3/TQ3+. Once you have adjusted the knob, move all the levers, from top to bottom, at the same time at least ten times.



3. SOFTWARE SETUP



PREPAR3D



The TQ3/TQ3+ interacts with any computer as a joystick (HID), so it is compatible with any flight simulation software. Below, you have two options for setting up your TQ3/TQ3+ with the most popular flight simulation software: MSFS, Prepar3D, and X-Plane.

3.1. Using VFHUB

VFHub is the software built by Virtual Fly to reduce the complicated to the simple. It is the recommended software setup for your TQ3/TQ3+. With VFHub, you can fly your favorite flight simulation software without worrying about configuring your Virtual Fly flight controls.

You can download the VFHub installer from <https://www.virtual-fly.com/downloads>. The VFHub installer takes care of installing VFHub together with all the required modules.

Connect the TQ3/TQ3+ to your computer, open VFHub, and start flying right away. VFHub takes care of making your TQ3/TQ3+ work with MSFS, Prepar3D, and X-Plane.



If your device is a TQ3, make sure to calibrate the device in VFHub. For more details, check the VFHub user's manual at https://downloads.virtual-fly.com/docs/vfhub/latest/VFHUB_USER'S_MANUAL.pdf



If you use MSFS or X-Plane, set a blank profile to the TQ3/TQ3+ in the controls or joysticks setup menu before using your device. You can find the detailed steps on how to set a blank profile here: https://downloads.virtual-fly.com/docs/vfhub/latest/VFHUB_SET_BLANK_PROFILES.pdf



If you want to customize how your TQ3/TQ3+ works, make sure you read the VFHub user's manual available at https://downloads.virtual-fly.com/docs/vfhub/latest/VFHUB_USER'S_MANUAL.pdf for detailed instructions on all the tuning and customization possibilities.

3.2 Using an alternative joystick configuration

Since the TQ3/TQ3+ interacts with any computer as a joystick (HID), it is compatible with any flight simulation software. Below, you have a general scheme for setting up your TQ3/TQ3+ with the most popular flight simulation software: MSFS, Prepar3D, and X-Plane.

MSFS

If you own a TQ3+, your device is ready to be used in MSFS. If you have a TQ3, don't worry, you only need to calibrate it on Windows/MacOS/Linux first. Assign the axes inside the controls menu, and the TQ3/TQ3+ will be ready to be used.

Finally, restart MSFS and verify that the device is configured correctly. Please note that reverse zones do not work if you do not use VFHub.

Prepar3D

If you own a TQ3+, your device is ready to be used in Prepar3D. If you have a TQ3, don't worry, you only need to calibrate it on Windows/MacOS/Linux first. Open Prepar3D

and go to the controls menu. Inside, select the 'TQ3/TQ3+' from the devices list. Assign the axes as you please. Then calibrate the device following the instructions.

Finally, restart Prepar3D and verify that the device is configured correctly. Please note that reverse zones do not work if you do not use VFHub.

X-Plane

If you own a TQ3+, your device is ready to be used in X-Plane. If you have a TQ3, don't worry, you only need to calibrate it on Windows/MacOS/Linux first. Your TQ3/TQ3+ needs to be calibrated inside X-Plane since axes are automatically assigned. Open X-Plane, go to Configuration\Joystick, and follow the calibration steps for your device.

Finally, restart X-Plane and verify that the device is configured correctly. Please note that reverse zones need to be set up if you do not use VFHub. Refer to the X-Plane manual to do so.