



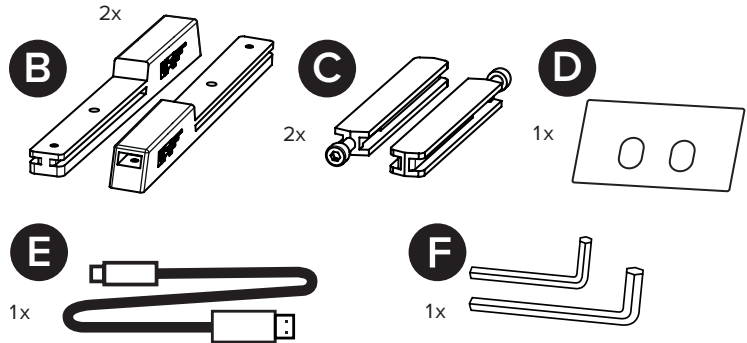
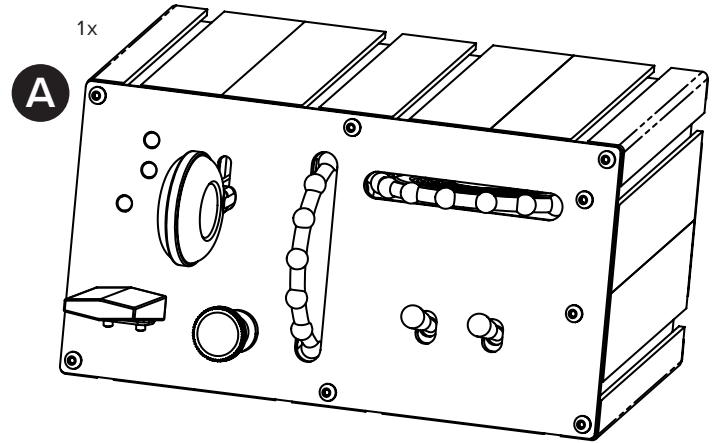
# SWITCHO TRIMS

## USER'S MANUAL

Rev. 1.0 - May 2022

### 1. IN THE BOX

- A) SWITCHO TRIMS
- B) Anti-slip legs
- C) “H”connecting piece between modules
- D) Magnet label “Turboprop”
- E) USB-A to USB-C Cable
- F) Allen keys (n.2, n.3)



For support, contact us at  
[support@virtual-fly.com](mailto:support@virtual-fly.com)

**VirtualFly**  
BY AIRCATGLOBAL

© 2022 Virtual Fly, SL  
All trademarks and brand names are  
trademarks or registered trademarks of their  
respective owners. All rights reserved.

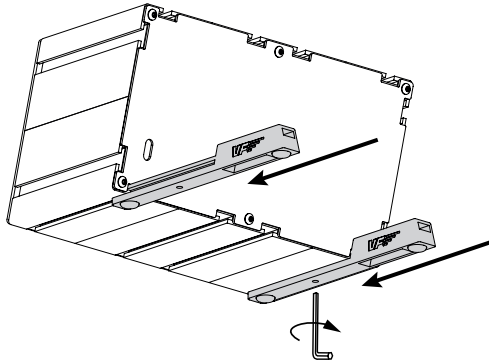
C. Maria Aurèlia Capmany, 21  
P.I. La Fàbrica – 08297 Castellgalí (Spain)  
Phone: (+34) 938 333 301  
<https://www.virtual-fly.com>

## 2. HARDWARE SETUP

### 2.1 ATTACHING TO DESKTOP/HOME COCKPIT SETUP

#### OPTION A: Using Anti-slip Legs

Introduce both anti-slip legs (B) in the lower slots from the backside, as indicated below. Using the n.2 Allen key (H), tighten the screw on each anti-slip leg until you feel resistance.

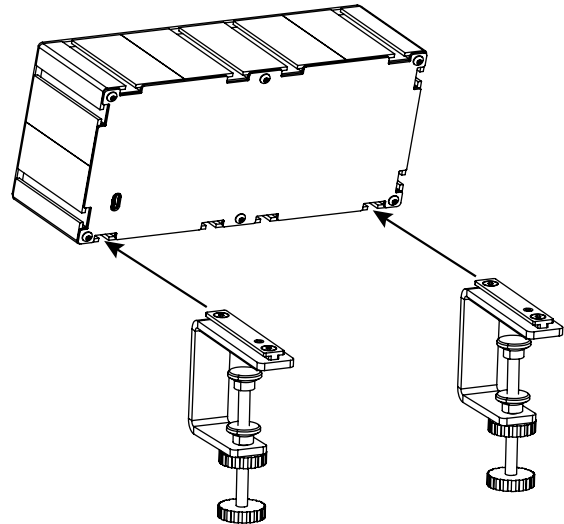


To secure your SWITCHO TRIMS into your desktop, simply place the device on the surface it will rest, and the anti-slip legs will ensure it won't move.

#### OPTION B: Using SWITCHO CLAMP (not included)

Set up your SWITCHO TRIMS in your home cockpit using the SWITCHO Clamp to fix it into your support base. This item is sold separately in our website at: <https://www.virtual-fly.com/shop/avionics/switcho-trims#accessories>.

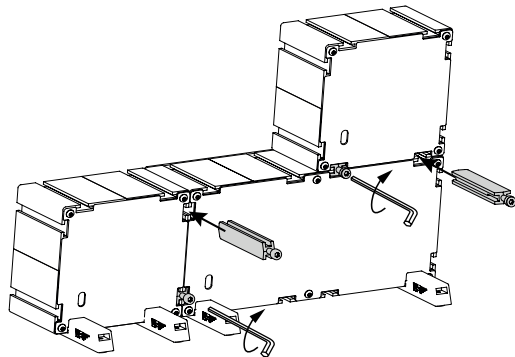
Slide in the SWITCHO Clamp into the lower slots of the SWITCHO TRIMS as displayed in the diagram below, and attach the clamp onto the support base.



## 2.3 MODULE ASSEMBLY

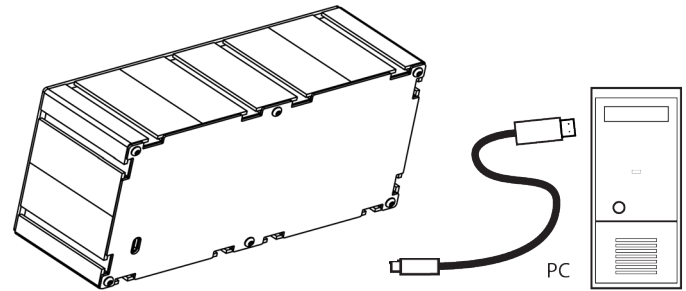
If you own another SWITCHO module, you can combine the modules with the provided connecting pieces (C). The modules can be combined forming rows and columns. Expand your SWITCHO Family and configure it to your preferences.

Join the modules you want to combine and introduce the connecting pieces (C) as displayed below. Tighten the screw with n.3 Allen key (H) until you feel resistance.



## 2.4 CONNECTING TO PC

Connect the USB cable to the back of the SWITCHO TRIMS and the computer where the flight simulator software is running.



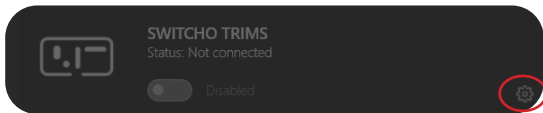
### 3. SOFTWARE SETUP



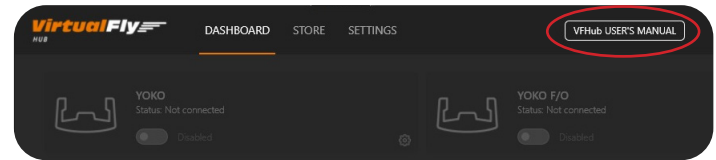
The SWITCHO TRIMS interacts with any computer using our own custom protocol through VFHub, which makes it compatible with MSFS, Prepar3D<sub>V4-V5</sub> and X-Plane 11. VFHub is the software developed by Virtual Fly to simplify setting up our products. With VFHub, you can fly your favorite flight simulation software without worrying about configuring your Virtual Fly flight controls.

You can download the latest VFHub version from this link: <https://www.virtual-fly.com/setup-support>. The VFHub installer takes care of installing VFHub and all the required modules. VFHub is compatible with MSFS, Prepar3D<sub>V4-V5</sub> and X-Plane 11.

After installing VFHub, make sure your SWITCHO TRIMS is connected to your computer. Run VFHub, locate the SWITCHO TRIMS section in the Dashboard and select the device's options button (⚙️) to access the SWITCHO TRIMS settings screen.



Inside the SWITCHO TRIMS settings screen, **you must select the COM port to activate your SWITCHO TRIMS**. For detailed instructions on getting your device running, **check the USER'S MANUAL button in the VFHub software**.



VFHub takes care of making your SWITCHO TRIMS work with MSFS and X-Plane 11, so it **must always be running** when you use the SWITCHO TRIMS.



To **customize** how your SWITCHO TRIMS works, select the **device's options button (⚙️)** in **VFHub's Dashboard**. For detailed instructions on all the tuning and customization possibilities, **check the USER'S MANUAL button in the VFHub software**.

After installing VFHub and configuring the SWITCHO TRIMS in VFHub, verify that the SWITCHO TRIMS status displayed in the Dashboard is “Connected”:

